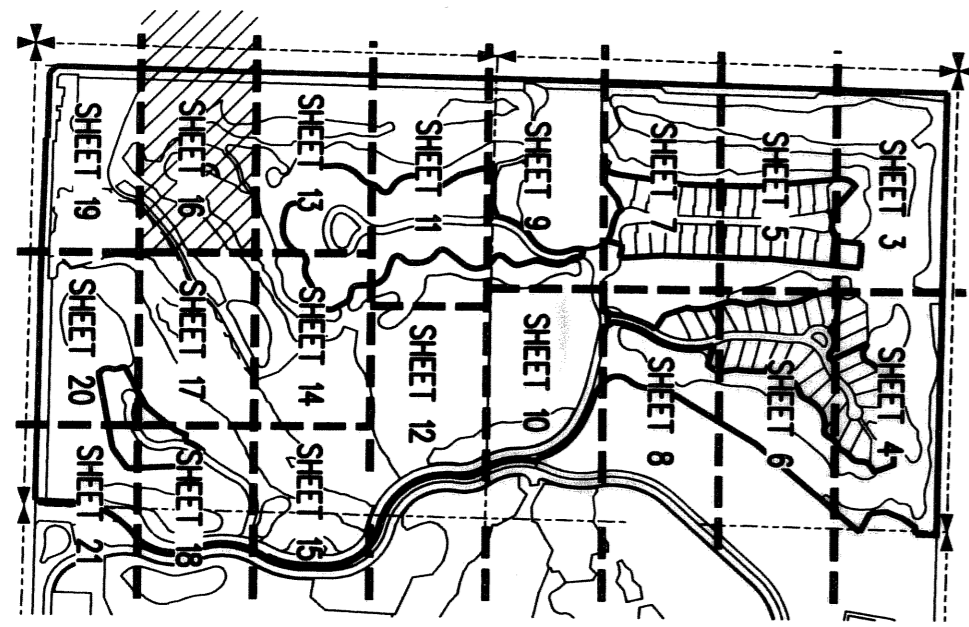


# RITZ-CARLTON GOLF CLUB & SPA REPLAT, JUPITER, A P.U.D.

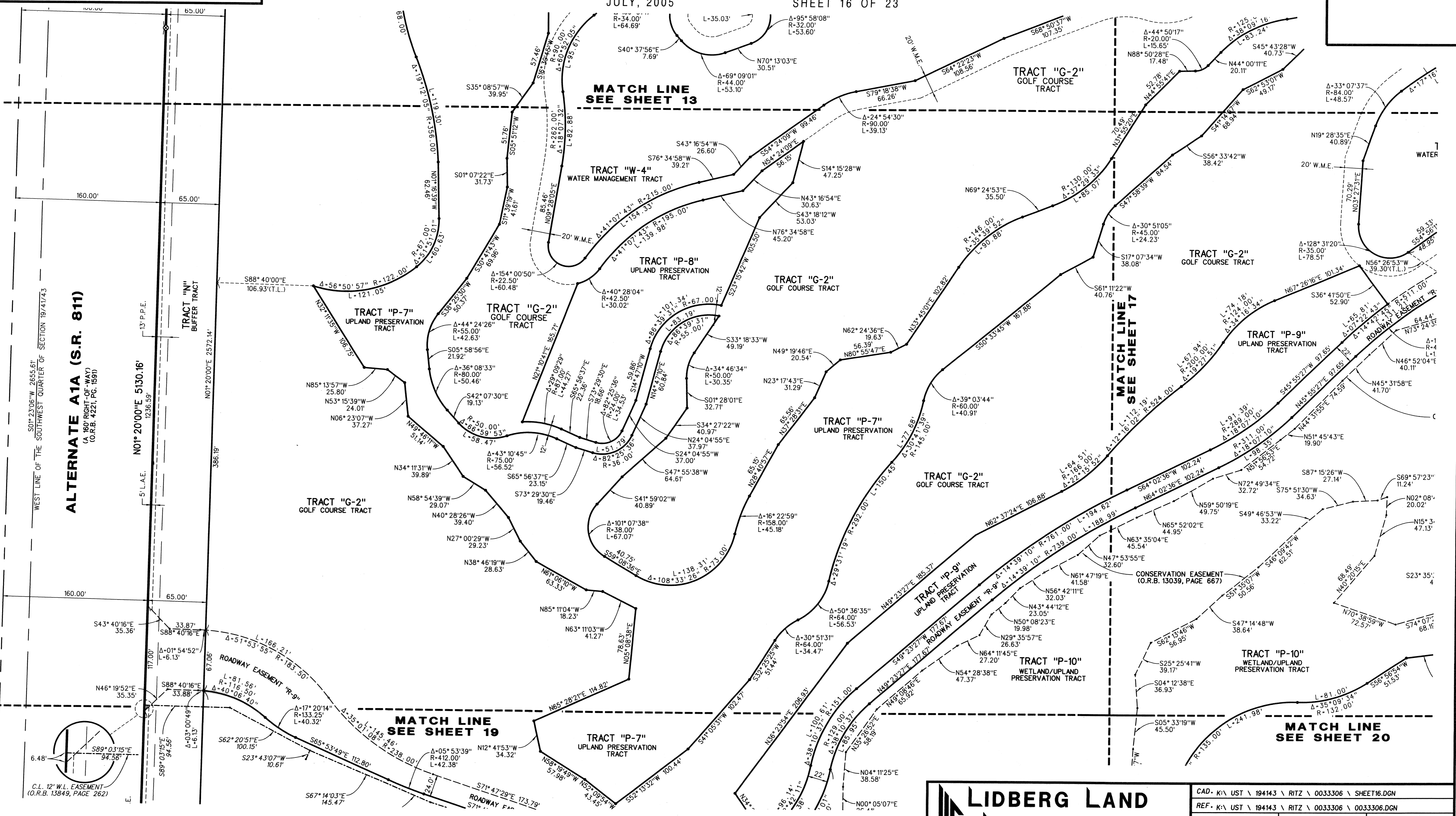
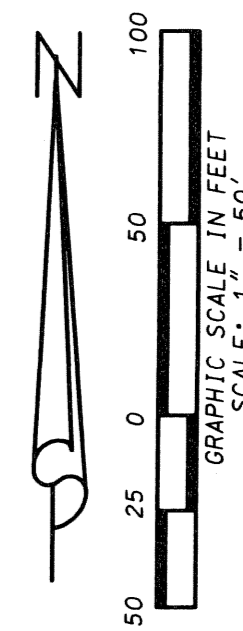
BEING A REPLAT OF RITZ-CARLTON GOLF CLUB & SPA, JUPITER, A P.U.D.,  
 AS RECORDED IN PLAT BOOK 93, PAGES 171 THROUGH 192,  
 LESS AND EXCEPT TRACTS "A", "A1", "C", "E", "M", "R-3", "R-4" AND R-6;  
 LOTS 1C THROUGH 11C, INCLUSIVE; LOTS 15C THROUGH 34C, INCLUSIVE,  
 OF SAID RITZ-CARLTON GOLF CLUB & SPA, JUPITER, A P.U.D.,  
 AND LESS AND EXCEPT ALL OF RITZ-CARLTON GOLF CLUB & SPA, POD B, JUPITER, A P.U.D.,  
 AS RECORDED IN PLAT BOOK 99, PAGES 42 THROUGH 44,  
 ALL IN THE PUBLIC RECORDS OF PALM BEACH COUNTY FLORIDA,  
 LYING IN SECTION 19, TOWNSHIP 41 SOUTH, RANGE 43 EAST,  
 JUPITER, PALM BEACH COUNTY, FLORIDA

JULY, 2005 SHEET 16 OF 23

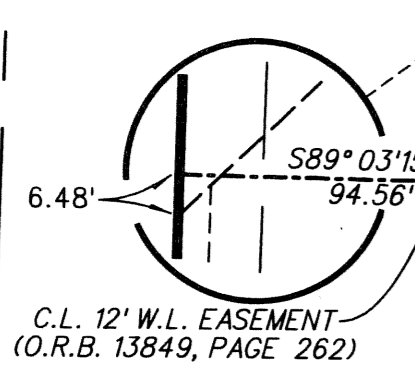
112



KEY MAP (NOT TO SCALE)



**ALTERNATE A1A (S.R. 811)**  
 (A 60' RIGHT-OF-WAY)  
 (O.R.B. 4221, PG. 1591)



C.L. 12' W.L. EASEMENT  
 (O.R.B. 13849, PAGE 262)

**LIDBERG LAND SURVEYING, INC.**  
 675 West Indiantown Road, Suite 200,  
 Jupiter, Florida 33458 TEL. 561-746-8454

CAD: K:\UST \ 194143 \ RITZ \ 0033306 \ SHEET16.DGN	
REF: K:\UST \ 194143 \ RITZ \ 0033306 \ 0033306.DGN	
FLD: -	FB: PG.
OFF: R.J.W.	JOB 03-003-306
CKD: D.C.L.	DATE 08/08/03
SHEET 16 OF 23	DWG. D03-003P